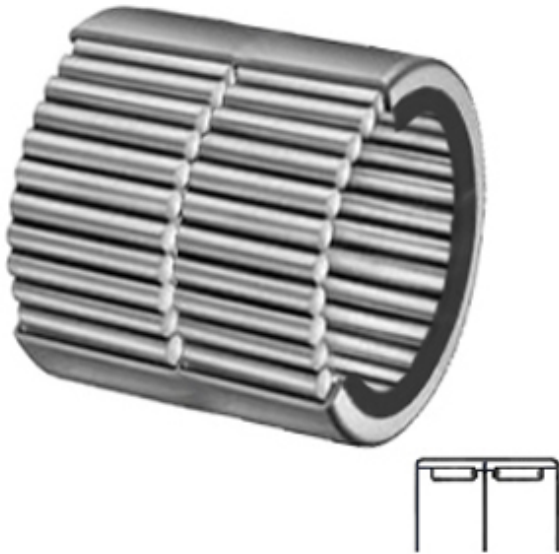




## Zhejiang Huaxin bearing accessories C...



2 Inch | 50.8 Millimeter x 2.563 Inch | 65.1  
Millimeter x 1.25 Inch | 31.75 Millimeter MCGILL  
GR 32 S Needle Non Thrust Roller Bearings

Bearing No. GR 32 S

Category	Needle Non Thrust Roller Bearings
Inventory	0.0
Manufacturer Name	REGAL BELOIT
Minimum Buy Quantity	N/A
Weight	0.241
EAN	0726166062422
Product Group	B04144
Rolling Element	Needle Roller Bearing
Component	Roller Assembly with Outer Ring - No Inner Ring
Enclosure	1 Seal
Self Aligning	No
Retainer	No
Number of Rows of Rollers	Double Row
Separable	No
Closed End	No
Inch - Metric	Inch
Relubricatable	Yes
Thrust Bearing	No
Long Description	2" Bore; 2-9/16" Outside Diameter; 1-1/4" Width; Needle Roller Bearing; Roller Assembly with Outer Ring - No Inner Ring; 1 Seal Enclosure; No Self Aligning; No Retainer; Double Row

GR 32 S Bearing 2D drawings and 3D CAD models



## Zhejiang Huaxin bearing accessories C...

	of R
Other Features	1 Rib Outer Ring   Full Complement   Heavy Duty   Oil Hole
Category	Needle Non Thrust Roller Bearing
UNSPSC	31171512
Harmonized Tariff Code	8482.40.00.00
Noun	Bearing
Keyword String	Needle
Manufacturer URL	<a href="http://www.emerson-ept.com">http://www.emerson-ept.com</a>
Manufacturer Item Number	GR-32-S
Manufacturer Internal Number	5003210000
Weight / LBS	0.53
d	2 Inch   50.8 Millimeter
B	1.25 Inch   31.75 Millimeter
D	2.563 Inch   65.1 Millimeter