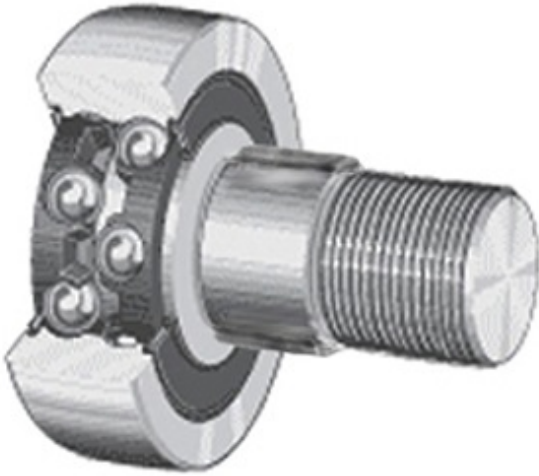




Zhejiang Huaxin bearing accessories C...



PLRSE-1-1/4 Bearing 2D drawings and 3D CAD models

OSBORN LOAD RUNNERS PLRSE-1-1/4 Cam Follower and Track Roller - Stud Type

Bearing No. PLRSE-1-1/4

Category	Cam Follower and Track Roller - Stud Type
Inventory	0.0
Manufacturer Name	OSBORN
Minimum Buy Quantity	N/A
Weight	0.23
Product Group	B04120
Roller Surface Profile	Flat
Profile	Stud Type
Thread Size	1/2-20
Stud Profile	Standard Stud with Eccentric Bushing
Enclosure	Sealed
Rolling Element	Ball Bearing - Double Row
Relubricatable	No
Hex Socket	Yes
Inch - Metric	Inch
Other Features	Corrosion Resistant Stainless Steel Tread
Long Description	1-1/4" Roller Diameter; 27/32" Roller Width; Flat Roller Surface; Stud Type; 1/2" Stud Diameter; 1/2-20 Thread; Standard Stud with Eccentric Bushing; Sealed; Ball Bearing - Double Row;
Category	Cam Followers Stud Type
UNSPSC	31171530



Zhejiang Huaxin bearing accessories C...

Harmonized Tariff Code	8482.10.50.68
Noun	Bearing
Keyword String	Cam Follower
Manufacturer URL	http://www.osborn.com
Manufacturer Item Number	PLRSE-1-1/4
Manufacturer Internal Number	97897
Weight / LBS	0.5
Roller Width	0.844 Inch 21.438 Millimeter
Roller Diameter	1.25 Inch 31.75 Millimeter
Stud Diameter	0.5 Inch 12.7 Millimeter